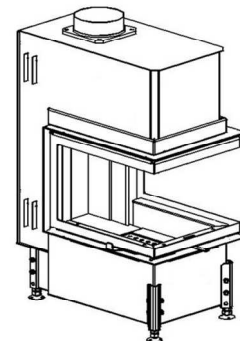


Sizes			Eco 4 S 600/450/500	Eco 4 S 600/510/500
1	A	mm	600	
2	F	mm	1210	1270
3	C	mm	500	
4	DN	Ø mm	180	
5	B	mm	450	510
6	V	mm	815	
7	R	mm		
8	AA	mm		
9	H	mm		
10	J	mm	325 + /160/	
11	K	Ø mm		
12	L	Ø mm	125	
13	M	mm		
14	N	mm	50	

**Basic accessories:**

Glass Modern (SM)  
 Vermiculite hearth (VEDRČ)  
 Black door-handle RP1A  
 Coated with ecological paint



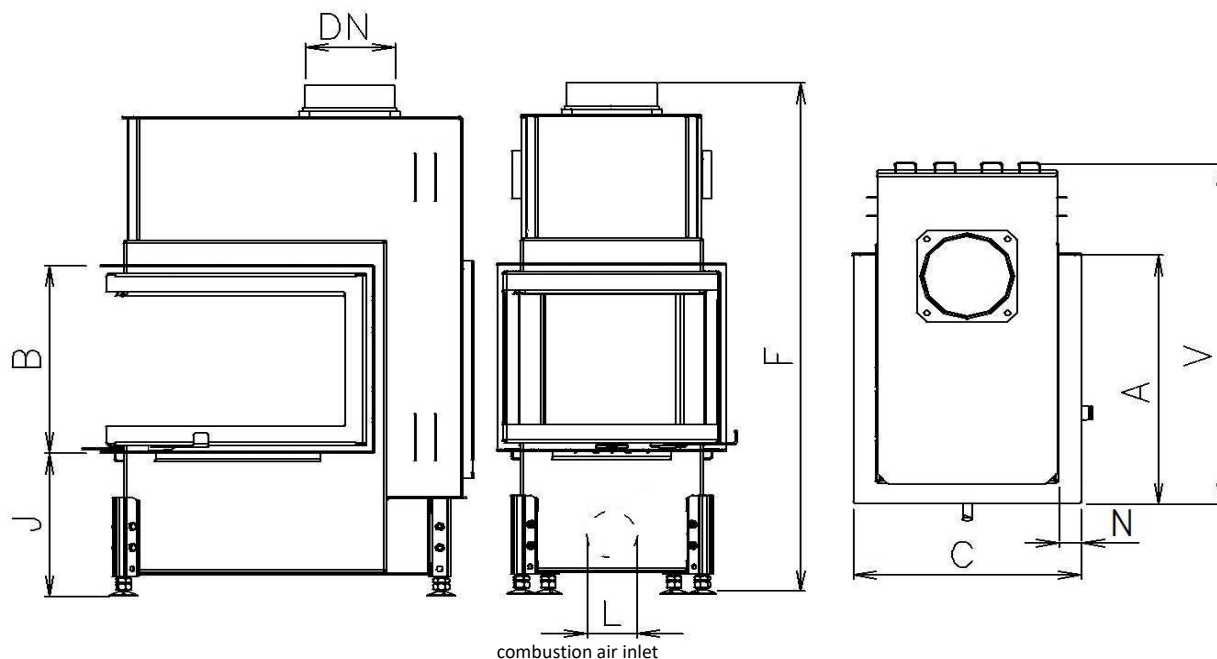
Technical parameters			
1	Nominal heat output	kW	9,5
2	Pressure required	Pa	12
3	Average efficiency	%	84,3
4	Average flue gas temperature	°C	189
5	Wood consumption	kg/h	2,9
6	Consumption of combustion air	m <sup>3</sup> /hod	29
7	Emission of CO to 13% O <sub>2</sub>	%	0,1
8	Flue gas mass flow	g/s	9,8
9	Weight	kg	230
10	Required min. cross section for circulating air - INPUT	cm <sup>2</sup>	300
11	Required min. cross section for circulating air - OUTPUT	cm <sup>2</sup>	475
12	Three-component insulated chimney-active height 4m	Ø cm	180
13	Character of building construction with fireplace insert	warm air convection	yes
		heat storage without conv	yes

**Optional accessories:**

Cover frame (KR)  
 Glass Reflex (SR)  
 External ashtray (VOP)  
 Lower hearth (ZO)  
 Vertical heat-storing panel (AZ)  
 Heat accumulation quadrant (APO)  
 Integrated building lintel (SPI)  
 Segmental chamotte lining (SO)

Test Method: ČSN EN 1322/A2:2007, FprEN16510-1, FprEN16510-2-2

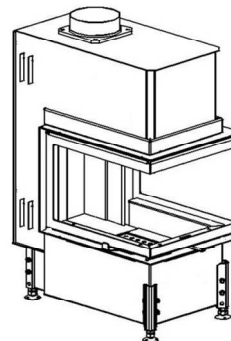
Fireplace complies with the requirements: STN EN 13229, DIN +, BlmSchV-Stufe 2, Commission Regulation (EU) č. 2015/1185 Ecodesign requirements



Sizes			Eco 4 M 670/450/500	Eco 4 M 670/510/500
1	A	mm	670	
2	F	mm	1210	1270
3	C	mm	500	
4	DN	Ø mm	180	
5	B	mm	450	510
6	V	mm	940	
7	R	mm		
8	AA	mm		
9	H	mm		
10	J	mm	325 + /160/	
11	K	Ø mm		
12	L	Ø mm	125	
13	M	mm		
14	N	mm	50	

**Basic accessories:**

Glass Modern (SM)  
 Vermiculite hearth (VEDRČ)  
 Black door-handle RP1A  
 Coated with ecological paint



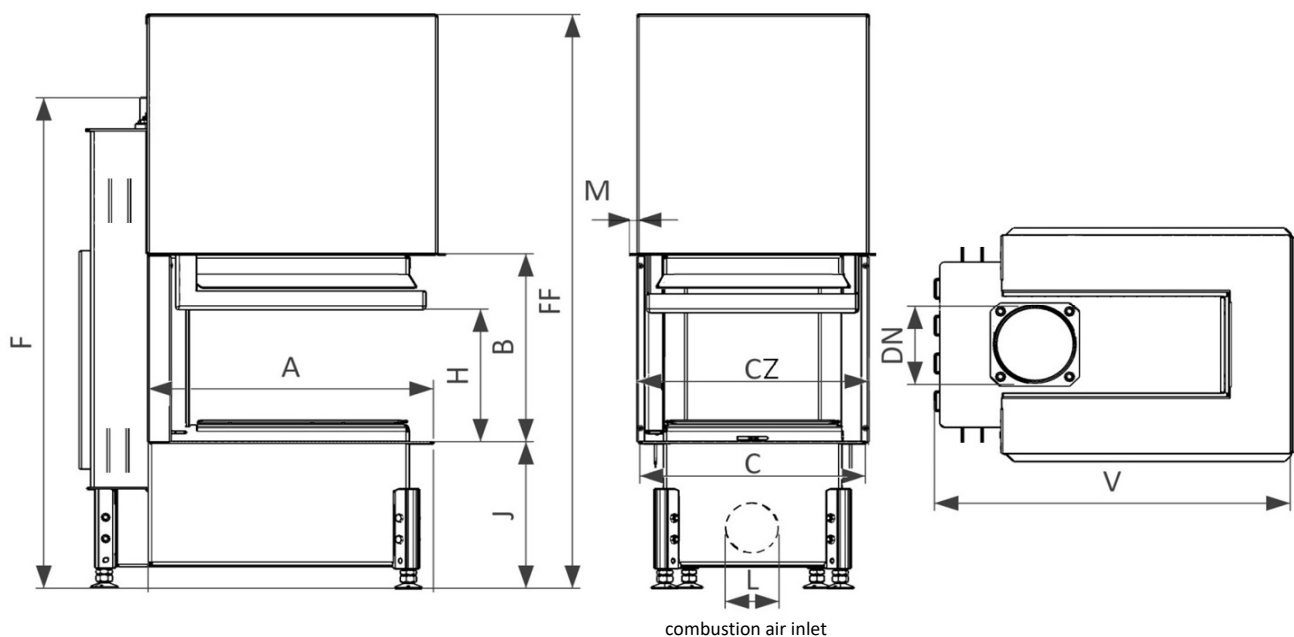
Technical parameters			
1	Nominal heat output	kW	10,0
2	Pressure required	Pa	12
3	Average efficiency	%	83,0
4	Average flue gas temperature	°C	206
5	Wood consumption	kg/h	3,2
6	Consumption of combustion air	m <sup>3</sup> /hod	30
7	Emission of CO to 13% O <sub>2</sub>	%	0,1
8	Flue gas mass flow	g/s	10,4
9	Weight	kg	245
10	Required min. cross section for circulating air - INPUT	cm <sup>2</sup>	300
11	Required min. cross section for circulating air - OUTPUT	cm <sup>2</sup>	500
12	Three-component insulated chimney-active height 4,5 m	Ø cm	180
13	Character of building construction with fireplace insert	warm air convection	yes
		heat storage without conv	yes

**Optional accessories:**

Cover frame (KR)  
 Glass Reflex (SR)  
 External ashtray (VOP)  
 Lower hearth (ZO)  
 Vertical heat-storing panel (AZ)  
 Heat accumulation quadrant (APO)  
 Integrated building lintel (SPI)  
 Segmental chamotte lining (SO)

Test Method: ČSN EN 1322/A2:2007, FprEN16510-1, FprEN16510-2-2

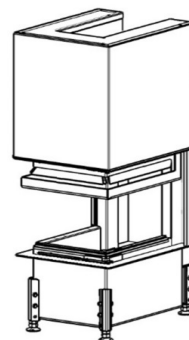
Fireplace complies with the requirements: STN EN 13229, DIN +, BlmSchV-Stufe 2, Commission Regulation (EU) č. 2015/1185 Ecodesign requirements



Sizes			Eco 4 S LUX, 650/450/510	Eco 4 S LUX, 650/510/510
1	A	mm	650	
2	F	mm	1210	1270
3	C	mm	510	
4	DN	Ø mm	180	
5	B	mm	450	510
6	V	mm	800	
7	FF	mm	1410	1470
8	CZ	mm	525	
9	H	mm	315	375
10	J	mm	325 + /160/	
11	K	Ø mm		
12	L	Ø mm	125	
13	M	mm	20	
14	N	mm		

**Basic accessories:**

Glass Modern (SM)  
 Vermiculite hearth (VEDRČ)  
 Inox door-handle MP2  
 Coated with ecological paint



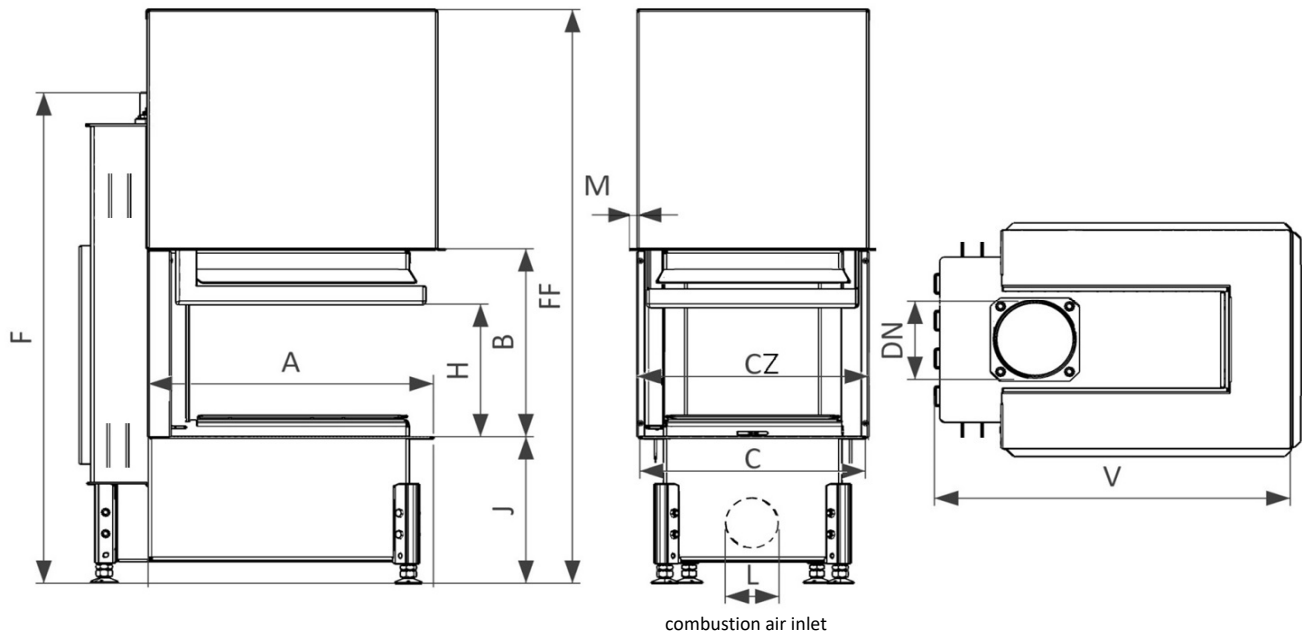
Technical parameters			
1	Nominal heat output	kW	10,0
2	Pressure required	Pa	12
3	Average efficiency	%	83,0
4	Average flue gas temperature	°C	206
5	Wood consuption	kg/h	3,2
6	Consumption of combustion air	m <sup>3</sup> /hod	30
7	Emission of CO to 13% O2	%	0,1
8	Flue gas mass flow	g/s	10,4
9	Weight	kg	245
10	Required min. cross section for circulating air - INPUT	cm <sup>2</sup>	300
11	Required min. cross section for circulating air - OUTPUT	cm <sup>2</sup>	500
12	Three-component insulated chimney-active height 4m	Ø cm	180
13	Character of building construction with fireplace insert	warm air convection	yes
		heat storage without conv	no

**Optional accessories:**

Cover frame (KR)  
 Glass Reflex (SR)  
 External ashtray (VOP)  
 Segmental chamotte lining (SO)  
 Lower hearth (ZO)  
 Vertical heat-storing panel (AZ)  
 Heat accumulation quadrant (APO)  
 Integrated building lintel (SPI)

Test Method: ČSN EN 1322/A2:2007, FprEN16510-1, FprEN16510-2-2

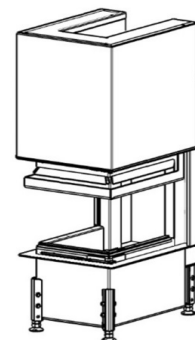
Fireplace complies with the requirements: STN EN 13229, DIN +, BlmSchV-Stufe 2, Commission Regulation (EU) č. 2015/1185 Ecodesign requirements



Sizes			Eco 4 M LUX, 740/450/510	Eco 4 M LUX 740/510/510
1	A	mm	740	
2	F	mm	1210	1270
3	C	mm	510	
4	DN	Ø mm	180	
5	B	mm	450	510
6	V	mm	870	
7	FF	mm	1410	1470
8	CZ	mm	525	
9	H	mm	315	375
10	J	mm	325 + /160/	
11	K	Ø mm		
12	L	Ø mm	125	
13	M	mm	20	
14	N	mm		

**Basic accessories:**

Glass Modern (SM)  
 Vermiculite hearth (VEDRČ)  
 Inox door-handle MP2  
 Coated with ecological paint



Technical parameters			
1	Nominal heat output	kW	10,0
2	Pressure required	Pa	12
3	Average efficiency	%	83,0
4	Average flue gas temperature	°C	206
5	Wood consuption	kg/h	3,2
6	Consumption of combustion air	m <sup>3</sup> /hod	30
7	Emission of CO to 13% O2	%	0,1
8	Flue gas mass flow	g/s	10,4
9	Weight	kg	245
10	Required min. cross section for circulating air - INPUT	cm <sup>2</sup>	300
11	Required min. cross section for circulating air - OUTPUT	cm <sup>2</sup>	500
12	Three-component insulated chimney-active height 4m	Ø cm	180
13	Character of building construction with fireplace insert	warm air convection	yes
		heat storage without conv	no

**Optional accessories:**

Cover frame (KR)  
 Glass Reflex (SR)  
 External ashtray (VOP)  
 Segmental chamotte lining (SO)  
 Lower hearth (ZO)  
 Vertical heat-storing panel (AZ)  
 Heat accumulation quadrant (APO)  
 Integrated building lintel (SPI)

Test Method: ČSN EN 1322/A2:2007, FprEN16510-1, FprEN16510-2-2

Fireplace complies with the requirements: STN EN 13229, DIN +, BlmSchV-Stufe 2, Commission Regulation (EU) č. 2015/1185 Ecodesign requirements