

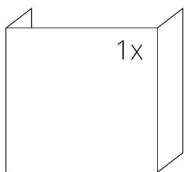
## SPECIFICATIONS

Rated thermal input	6 kW
Efficiency	82 %
Smoke flue diameter	180 mm
Min. thrust (under pressure) for rated thermal input	12 Pa
Fuel gas temperature	262 °C
Volume of fuel gas	4,6 g/s
CO emissions in fuel gas (at 13 % O <sub>2</sub> )	0,0873 %
Dust in the fuel gas (at 13 % O <sub>2</sub> )	19 mg/Nm <sup>3</sup>
Volume of fuel per hour	1,85 kg/h
Fuel	wood (beech logs)
Weight	227 kg



## LIST OF SPARE PARTS

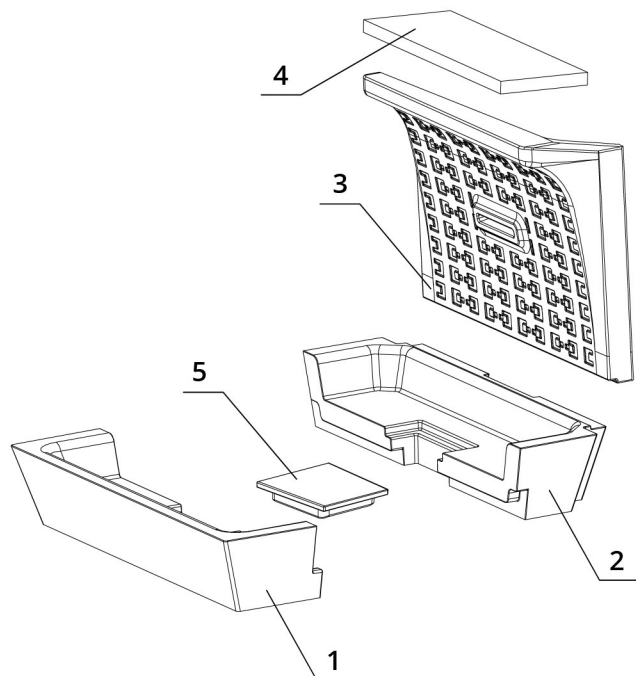
### Glass



624 x 400 x 400 mm

### Carcon stones

1. Front bottom
2. Back bottom
3. Back
4. Deflector
5. Carcon blend



# BEF THERM V 6 C

BImSchV  
Stufe 2

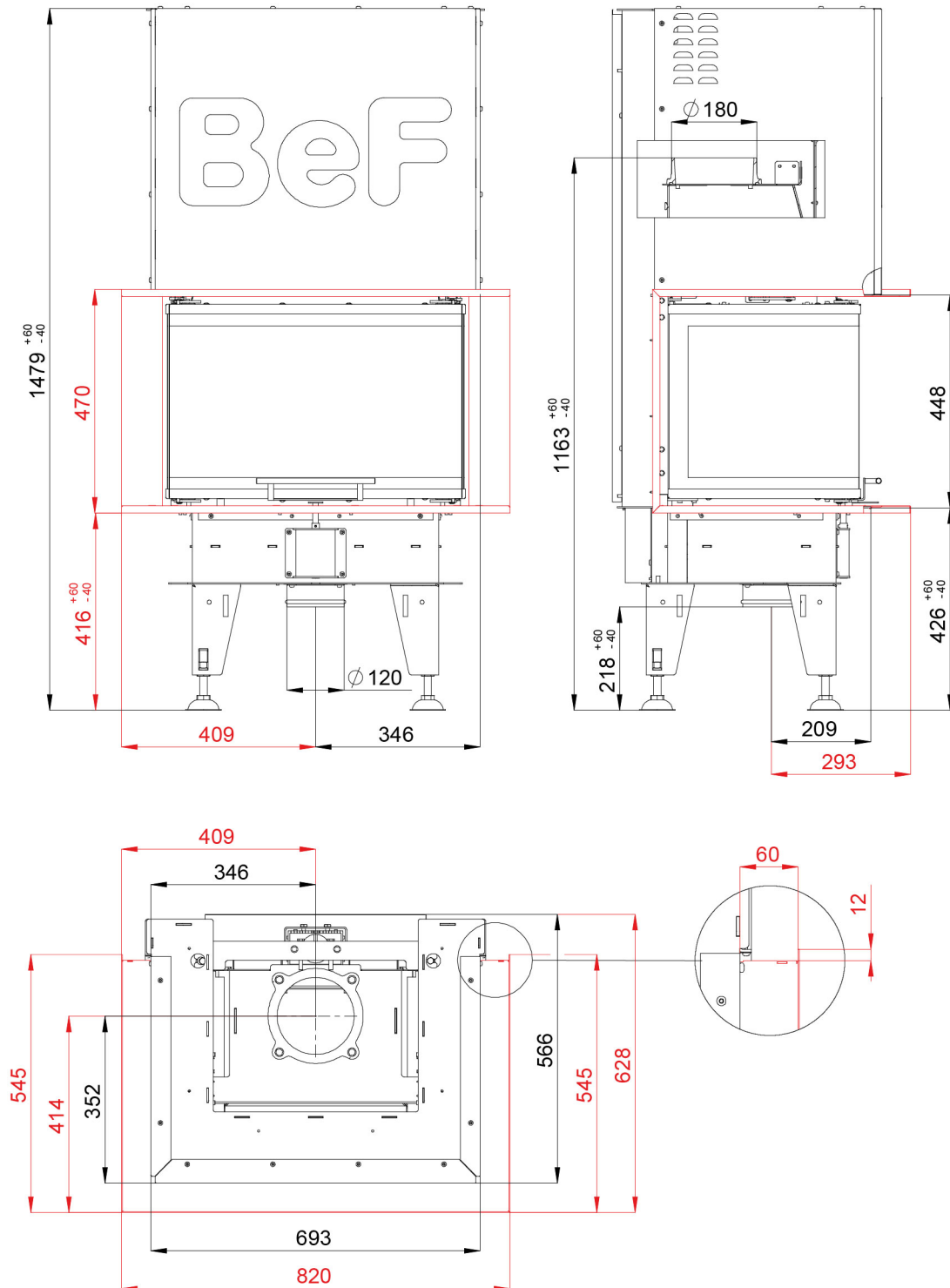
15a  
B - VG

ČSN EN  
13229

eco  
design

[www.befhome.com](http://www.befhome.com)

## TECHNICAL DRAWING



# BEF THERM V 6 C

BlmSchV  
Stufe 2

15a  
B-VG

ČSN EN  
13229

eco  
design