

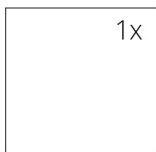
SPECIFICATIONS

Rated thermal input	14 kW
Rated thermal input into water	83 %
Efficiency	200 mm
Smoke flue diameter	10 Pa
Min. thrust (under pressure) for rated thermal input	242 °C
Fuel gas temperature	10,6 g/s
Volume of fuel gas	0,0981 %
CO emissions in fuel gas (at 13 % O ₂)	29 mg/Nm ³
Dust in the fuel gas (at 13 % O ₂)	3,95 kg/h
Volume of fuel per hour	wood (beech logs)
Fuel	264 kg
Weight	



LIST OF SPARE PARTS

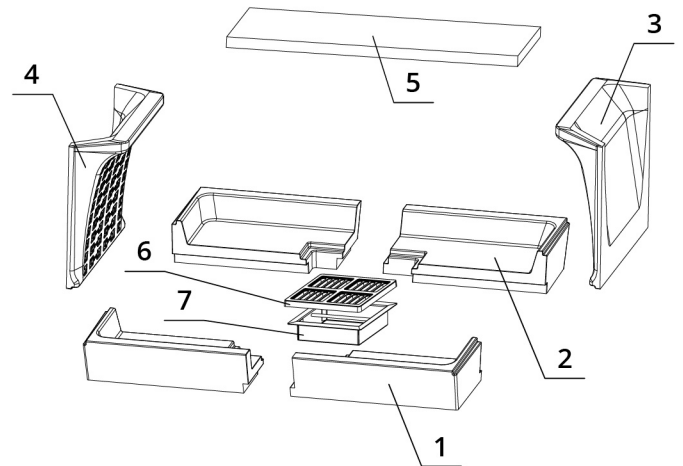
Glass



950 x 468 mm
950 x 468 mm

Carcon stones

1. Front bottom
2. Back bottom
3. Right side
4. Left side
5. Deflector
6. Cast iron grid
7. Ash tray



BEF TWIN 10 II.

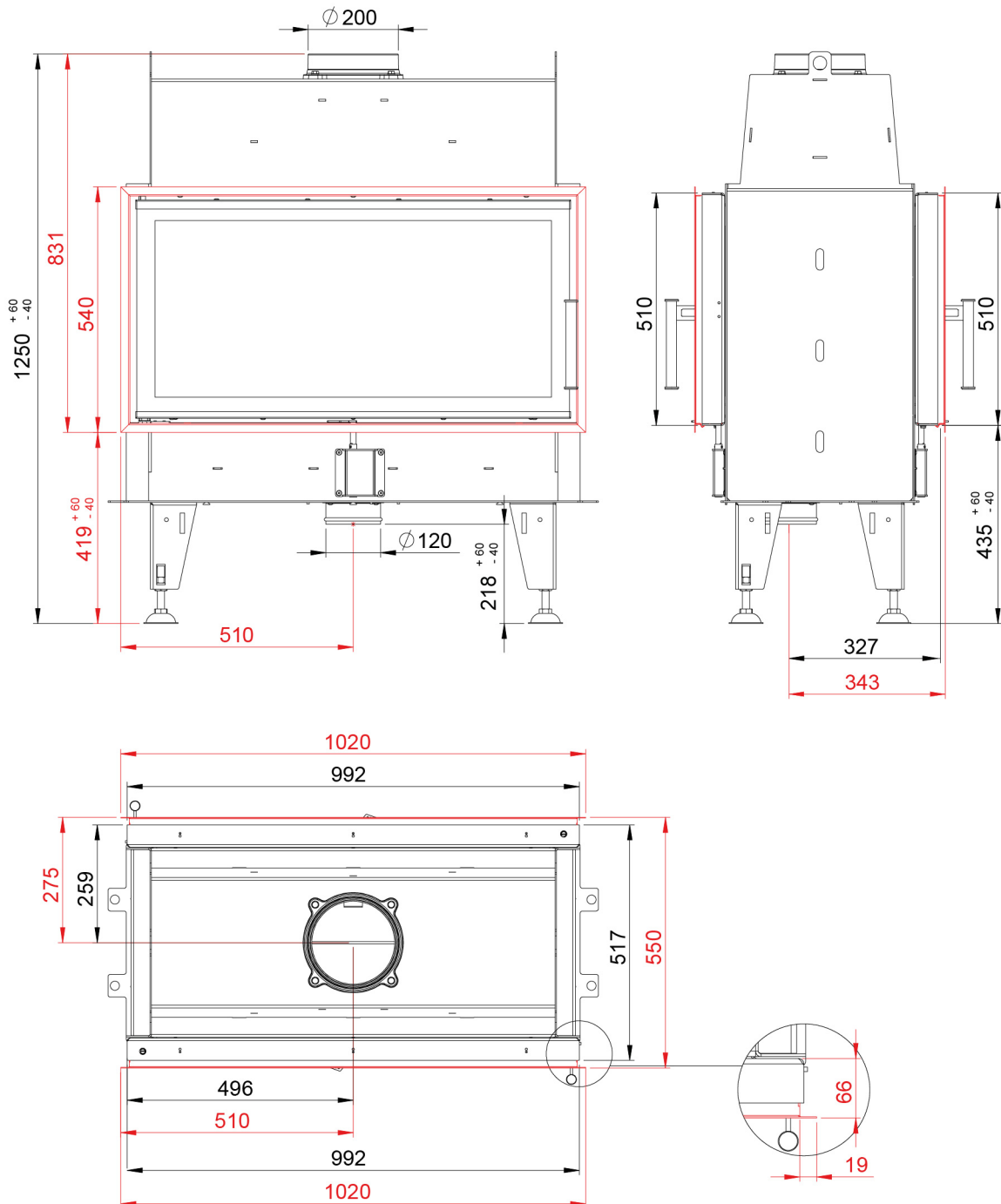
BImSchV
Stufe 2

15a
B - VG

ČSN EN
13229

www.befhome.com

TECHNICAL DRAWING



BEF TWIN 10 II.

BImSchV Stufe 2	15a B-VG	ČSN EN 13229
--------------------	-------------	-----------------

www.befhome.com