

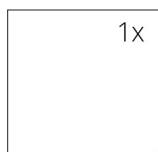
SPECIFICATIONS

Rated thermal input	14 kW
Rated thermal input into water	83 %
Efficiency	200 mm
Smoke flue diameter	10 Pa
Min. thrust (under pressure) for rated thermal input	242 °C
Fuel gas temperature	10,6 g/s
Volume of fuel gas	0,0981 %
CO emissions in fuel gas (at 13 % O ₂)	29 mg/Nm ³
Dust in the fuel gas (at 13 % O ₂)	3,95 kg/h
Volume of fuel per hour	wood (beech logs)
Fuel	268 kg
Weight	



LIST OF SPARE PARTS

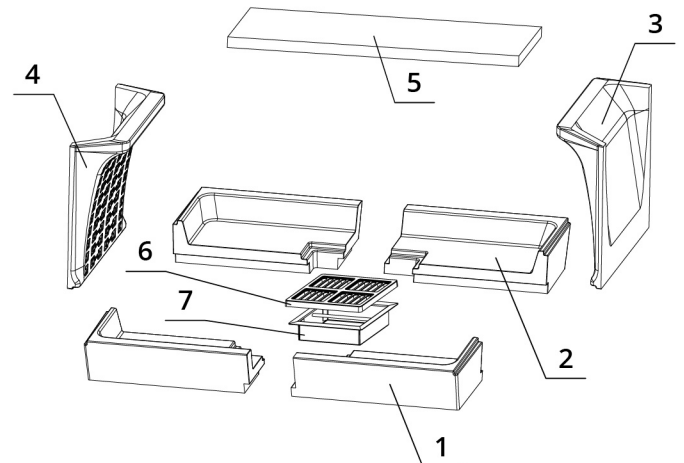
Glass



950 x 468 mm

Carcon stones

1. Front bottom
2. Back bottom
3. Right side
4. Left side
5. Deflector
6. Cast iron grid
7. Ash tray



BEF TWIN 10 N II.

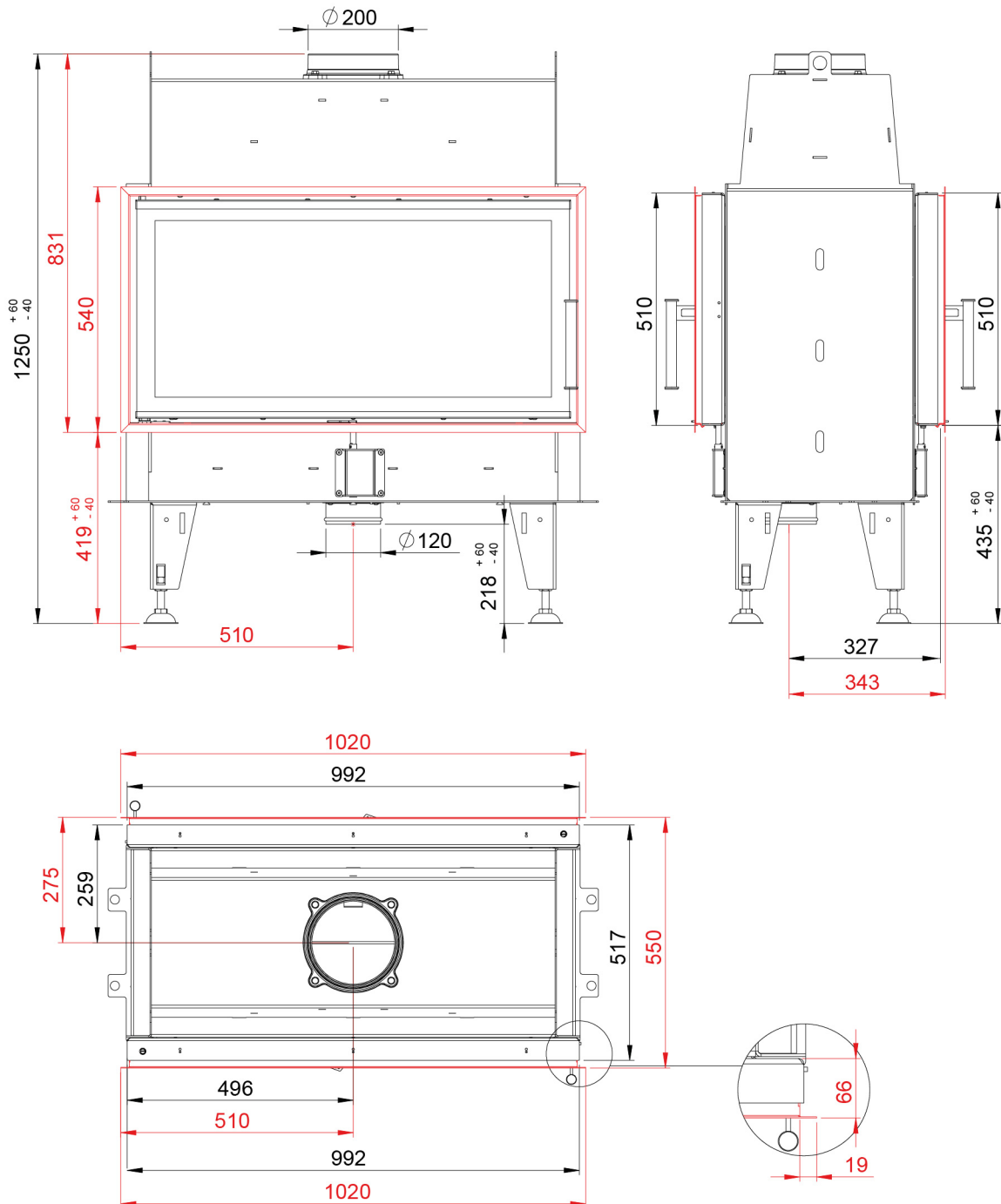
BlmSchV
Stufe 2

15a
B - VG

ČSN EN
13229

www.befhome.com

TECHNICAL DRAWING



BEF TWIN 10 N II.

BImSchV Stufe 2	15a B - VG	ČSN EN 13229
--------------------	---------------	-----------------

www.befhome.com